

# LEO-S595-MS

## LoRaWAN Magnetic Switch



### Features

- Suitable for various doors/windows of different materials
- Support mounting tamper detection
- LED for network status, open/close status, tamper and low battery indication
- LoRaWAN technology for efficient long-range wireless data transmissions
- Built-in 1200 mAh replaceable battery
- Equipped with NFC for easy configuration
- Function well with standard LoRaWAN® gateways and network servers

### Specifications

Frequency	US915/AU915/KR920/AS923/RU864/IN865/EU868/CN470
NFC	Y (Configuration)
LED	R/G
Button	1 x Reset Button (Internal) 1 x Tampering Button
Battery	1 x 1200 mAh battery (ER14250)
Battery Life	5 years (1080 min interval + 30 triggers per day)*
Working Temperature	-20°C ~ 60°C
Working Humidity	0 ~ 90% (non-condensing) at 25°C (77°F)
Wireless Range	50 meters+ (Line of Sight)*
Dimension	Sensor: 50.5 x 31 x 18.5 mm (1.99 x 1.22 x 0.73 in) Magnet: 30 x 13.5 x 10 mm (1.18 x 0.53 x 0.39 in)
Weight (KG)	11g
IP	20
Certification	FCC,CE
Detection Distance	15~20mm
Alarms	Open/Close Status, Tamper
Installation	Sensor and magnet installation plane distance <15mm, height difference <7.5mm

\* Test under laboratory conditions and for guideline purposes only

### Ordering Information

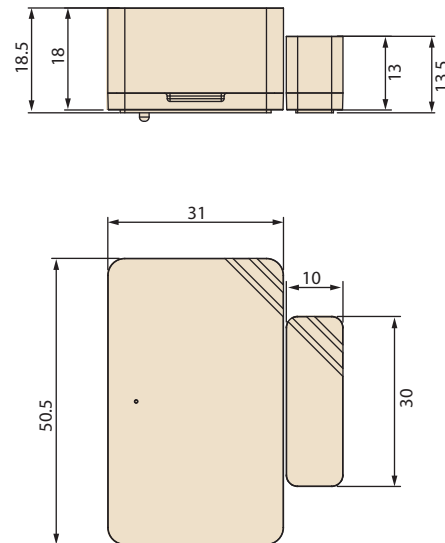
Part Number	Description
LEO-S595-MSG0	LEO-S LoRaWAN Magnetic Switch 915
LEO-S595-MSC0	LEO-S LoRaWAN Magnetic Switch 470
LEO-S595-MSE0	LEO-S LoRaWAN Magnetic Switch 868

### Packing List

- 2 x Mounting Screws

### Dimensions

Unit: mm



# USM-S67

## LoRaWAN & WIFI Gateway



### Features

- Quad-core industrial processor with big memory
- Equip with SX1302 chip, handling a higher amount of traffic with lower consumption
- 8 half/full-duplex channels
- IP65 enclosure and industrial design for parts of outdoor environment applications like eaves
- Desktop, wall or pole mounting
- Multi backhaul backups with Ethernet and Wi-Fi
- Easy and centralized management of remote devices
- Enable security communication with multiple VPNs like IPsec/OpenVPN/L2TP/PPTP/DMVPN
- Built-in network server and MQTT/HTTP/HTTPS API for easily integration
- Embedded Python SDK for users secondary development
- Fast and user-friendly programming by Node-RED development tool

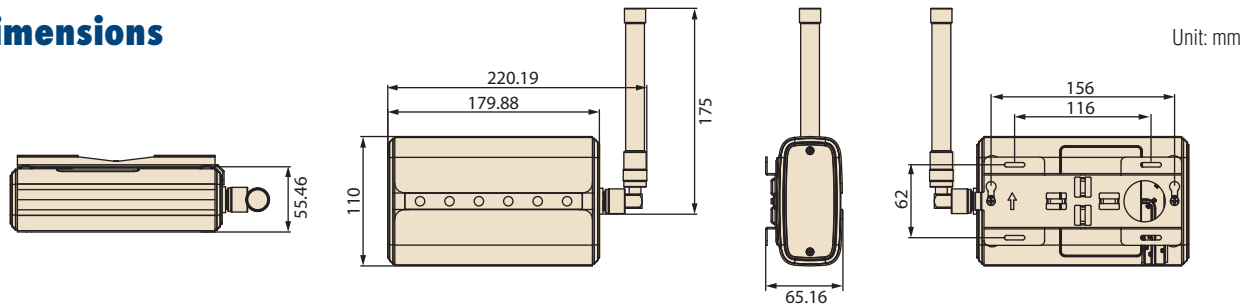
### Specifications

General	CPU	Quad-core 1.5 GHz, 64-bit ARM Cortex-A53
	Memory	512 MB DDR4
	Flash	8 GB eMMC
	LED Indicators	1 x POWER, 1 x STATUS, 1 x LoRa, 1 x Wi-Fi, 1 x Ethernet
LoRaWAN	Frequency	US915/AU915/KR920/AS923/RU864/IN865/EU868/CN470
	Antenna	2 x Internal Antennas 1 x External Antenna
	Wireless Range	100 meters+ (Line of sight)**
	Connect Q'ty	Support up to 100 x LEO-S sensors*
Connectivity	Ethernet	10/100/1000 Base-T
	Wifi	IEEE 802.11 b/g/n, 2.4GHz
Others	Button	1 x Reset Button
	Power	1. DC Jack Connector for 9-24 V <sub>DC</sub> power supply 2. 1 x 802.3 af PoE input
	Working Temperature	-40 ~ 70°C (-40 ~ 158°F)
	Storage Temperature	-40 ~ 85°C (-40 ~ 185°F)
	Operating Humidity	0 ~ 95% (non-condensing) at 25°C (77°F)
	dimension	180 x 110 x 56.5 mm (7.09 x 4.33 x 2.22 in)
	IP	65
Certification	FCC, TELEC, CE, KC, RCM, SIRIM, NBTC	

\* Dependent on usage scenario

\*\* Test under laboratory conditions and for guideline purposes onl

### Dimensions



### Ordering Information

Part Number	Description
USM-S67-GOWPO	USM-S67 LoRaWAN & WIFI Gateway 915
USM-S67-COWPO	USM-S67 LoRaWAN & WIFI Gateway 470
USM-S67-EOWPO	USM-S67 LoRaWAN & WIFI Gateway 868

### Packing List

- 1 x LAN Cable(1.5M)
- 1 x Adapter
- 1 x Mounting Bracket
- 2 x Mounting Kits
- 1 x LoRaWAN Antenna

# USM-S67

## LoRaWAN & LTE Compact Gateway



### Features

- Compact LoRaWAN LTE Gateway
- 8 half-duplex channels
- Small in size for easy carrying & deployment
- Desktop, wall or ceiling mounting support
- Multi backhaul backups with Ethernet and Cellular (4G)
- High cost performance, suitable for small applications
- Compatible with mainstream network servers like The Things Industries, ChirpStack, AWS IoT Core for LoRaWAN® and etc.

### Specifications

General	CPU	Dual-core 240MHz, 32-bit Xtensa® LX7	
	Memory	8 MB PSRAM	
	Flash	16 MB Flash	
	LED Indicators	1 x SYSTEM, 1 x LTE	
LoRaWAN	Frequency	US915/AU915/KR920/AS923	
	Antenna	2 x External Antennas	
	Wireless Range	100 meter+ (Line of sight)**	
	Connect Q'ty	Support up to 20 pcs*	
Connectivity	Ethernet	10/100 Base-T	
	LTE	CAT.1 / GSM	
	Cellular Band	EU Band:	LTE-FDD: B1/2/3/4/5/7/8/12/13/17/18/ 19/20/25/26/28/66
			LTE-TDD: B34/38/39/40/41; GSM: B2/3/5/8
Others	Button	1 x Reset Button	
	Power	1. 5V/2A by Type-C Port 2. 5~12 V <sub>DC</sub>	
	Power Consumption	Typical 1.3W, Max 3.1 W	
	Working Temperature	-20°C ~ 50°C (-4°F ~ 122°F)	
	Storage Temperature	-40°C ~ 85°C (-40°F ~ 185°F)	
	Dimension	Ø 115 x 21 mm (Ø 4.52 x 0.83 in) (Antenna Excluded)	
	IP	30	
	Certification	CE	

\* Dependent on usage scenario

\*\* Test under laboratory conditions and for guideline purposes only

### Ordering Information

Part Number	Description
USM-S67-G20P0	USM-S67 LoRaWAN & LTE(EU) Gateway 915

### Packing List

- 2 x Mounting Kits
- 1 x Type -C Cable
- 1 x USB Adapter

### Dimensions

Unit: mm

