

LEO-S550-DA

LoRaWAN DAQ Controller



Features

- Easy to connect with diverse wired devices through DIO/AI/RS232/RS485/PT100 RTD input interfaces
- Multiple triggering conditions and actions
- Embedded watchdog for device working stability
- Industrial metal case design with wide working temperature
- Compliant with standard LoRaWAN® gateways and network servers

Specifications

| | | |
|----------------------|--|---|
| Frequency | US915/AU915/KR920/AS923/RU864/IN865/EU868 | |
| LED | 1 x System, 1 x ACT | |
| Working Temperature | -20°C ~ 60°C | |
| Working Humidity | 0 ~ 95% (non-condensing) at 25°C (77°F) | |
| Wireless Range | 100 meters+ (Line of Sight)* | |
| Dimension | 93 x 70 x 22 mm (3.66 x 2.76 x 0.87 in) | |
| Weight | 470g | |
| Certification | FCC, CE | |
| Power | 5-24 V _{DC} | |
| Power Interface Type | 3.5mm Terminal Block | |
| I/O | Port | Type-C (Configuration) |
| | Ports | 4 x DI + 2 x DO |
| | Digital Input | Opto-isolated Digital Inputs, 3-24V _{DC} (pulse counter support) |
| | Digital Output | SPDT Relay Contact Rating: 3A@DC Max: 30 V or AC Max: 250 V |
| Serial Port | Ports | 1 x RS232 + 1 x RS485 |
| | Baud Rate | 1200~115200 bps |
| | Protocol | Transparent (RS232), Modbus RTU (RS485) |
| Analog Input | Ports | 2 x 4~20 mA + 2 x 0~10 V |
| | Resolution | 12 bit |
| Analog Input (RTD) | Ports | 2 x PT100 RTD Input |
| | Input Connections | 2, 3-wire |
| | Resolution | 12 bit |
| | Range | -200°C ~ 800°C |

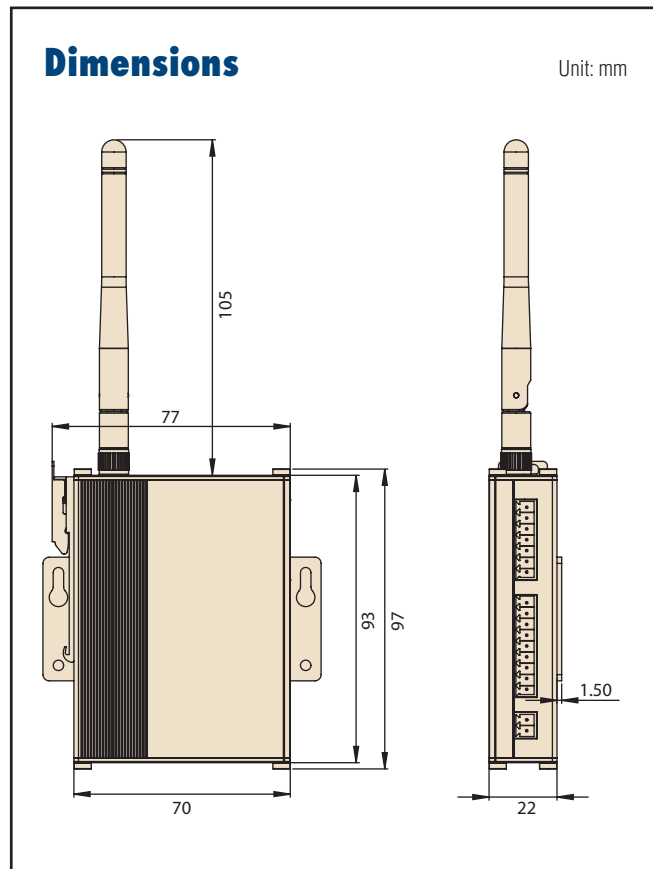
* Test under laboratory conditions and for guideline purposes only

Ordering Information

| Part Number | Description |
|---------------|----------------------------------|
| LEO-S550-DAG0 | LEO-S LoRaWAN DAQ Controller 915 |
| LEO-S550-DAE0 | LEO-S LoRaWAN DAQ Controller 868 |

Dimensions

Unit: mm



Packing List

- 1 x LoRaWAN Antenna
- 1 x Power Adapter
- 5 x Terminal Blocks
- 1 x DIN Rail Mounting Clip
- 4 x Wall Mounting Kits
- 4 x Fixing Screws

USM-S67

LoRaWAN & WIFI Gateway



Features

- Quad-core industrial processor with big memory
- Equip with SX1302 chip, handling a higher amount of traffic with lower consumption
- 8 half/full-duplex channels
- IP65 enclosure and industrial design for parts of outdoor environment applications like eaves
- Desktop, wall or pole mounting
- Multi backhaul backups with Ethernet and Wi-Fi
- Easy and centralized management of remote devices
- Enable security communication with multiple VPNs like IPsec/OpenVPN/L2TP/PPTP/DMVPN
- Built-in network server and MQTT/HTTP/HTTPS API for easily integration
- Embedded Python SDK for users secondary development
- Fast and user-friendly programming by Node-RED development tool

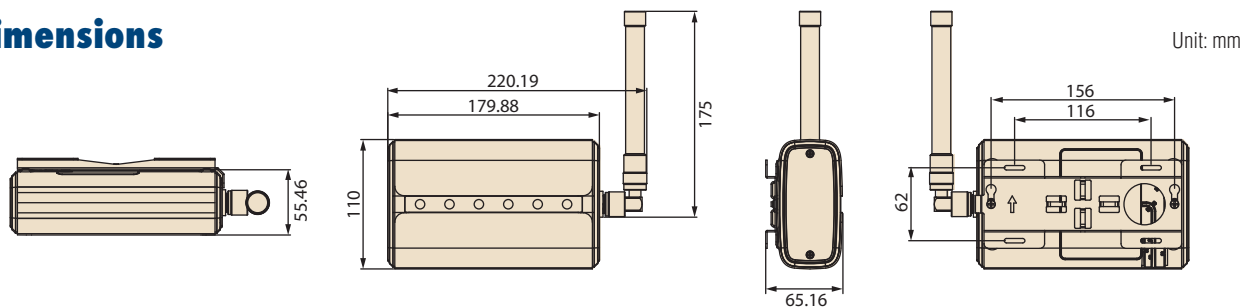
Specifications

| | | |
|---------------|--------------------------------------|---|
| General | CPU | Quad-core 1.5 GHz, 64-bit ARM Cortex-A53 |
| | Memory | 512 MB DDR4 |
| | Flash | 8 GB eMMC |
| | LED Indicators | 1 x POWER, 1 x STATUS, 1 x LoRa, 1 x Wi-Fi, 1 x Ethernet |
| LoRaWAN | Frequencny | US915/AU915/KR920/AS923/RU864/IN865/EU868/CN470 |
| | Antenna | 2 x Internal Antennas 1 x External Antenna |
| | Wireless Range | 100 meters+ (Line of sight)** |
| | Connect Q'ty | Support up to 100 x LEO-S sensors* |
| Connectivity | Ethernet | 10/100/1000 Base-T |
| | Wifi | IEEE 802.11 b/g/n, 2.4GHz |
| Others | Button | 1 x Reset Button |
| | Power | 1. DC Jack Connector for 9-24 V _{DC} power supply 2. 1 x 802.3 af PoE input |
| | Working Temperature | -40 ~ 70°C (-40 ~ 158°F) |
| | Storage Temperature | -40 ~ 85°C (-40 ~ 185°F) |
| | Operating Humidity | 0 ~ 95% (non-condensing) at 25°C (77°F) |
| | dimension | 180 x 110 x 56.5 mm (7.09 x 4.33 x 2.22 in) |
| | IP | 65 |
| Certification | FCC, TELEC, CE, KC, RCM, SIRIM, NBTC | |

* Dependent on usage scenario

** Test under laboratory conditions and for guideline purposes onl

Dimensions



Ordering Information

| Part Number | Description |
|---------------|------------------------------------|
| USM-S67-G0WPO | USM-S67 LoRaWAN & WIFI Gateway 915 |
| USM-S67-C0WPO | USM-S67 LoRaWAN & WIFI Gateway 470 |
| USM-S67-E0WPO | USM-S67 LoRaWAN & WIFI Gateway 868 |

Packing List

- 1 x LAN Cable(1.5M)
- 1 x Adapter
- 1 x Mounting Bracket
- 2 x Mounting Kits
- 1 x LoRaWAN Antenna

USM-S67

LoRaWAN & LTE Compact Gateway



Features

- Compact LoRaWAN LTE Gateway
- 8 half-duplex channels
- Small in size for easy carrying & deployment
- Desktop, wall or ceiling mounting support
- Multi backhaul backups with Ethernet and Cellular (4G)
- High cost performance, suitable for small applications
- Compatible with mainstream network servers like The Things Industries, ChirpStack, AWS IoT Core for LoRaWAN® and etc.

Specifications

| | | | |
|--------------|---------------------|--|---|
| General | CPU | Dual-core 240MHz, 32-bit Xtensa® LX7 | |
| | Memory | 8 MB PSRAM | |
| | Flash | 16 MB Flash | |
| | LED Indicators | 1 x SYSTEM, 1 x LTE | |
| LoRaWAN | Frequency | US915/AU915/KR920/AS923 | |
| | Antenna | 2 x External Antennas | |
| | Wireless Range | 100 meter+ (Line of sight)** | |
| | Connect Q'ty | Support up to 20 pcs* | |
| Connectivity | Ethernet | 10/100 Base-T | |
| | LTE | CAT.1 / GSM | |
| | Cellular Band | EU Band: | LTE-FDD: B1/2/3/4/5/7/8/12/13/17/18/ 19/20/25/26/28/66 |
| | | | LTE-TDD: B34/38/39/40/41; GSM: B2/3/5/8 |
| Others | Button | 1 x Reset Button | |
| | Power | 1. 5V/2A by Type-C Port 2. 5~12 V _{DC} | |
| | Power Consumption | Typical 1.3W, Max 3.1 W | |
| | Working Temperature | -20°C ~ 50°C (-4°F ~ 122°F) | |
| | Storage Temperature | -40°C ~ 85°C (-40°F ~ 185°F) | |
| | Dimension | Ø 115 x 21 mm (Ø 4.52 x 0.83 in) (Antenna Excluded) | |
| | IP | 30 | |
| | Certification | CE | |

* Dependent on usage scenario

** Test under laboratory conditions and for guideline purposes only

Ordering Information

| Part Number | Description |
|---------------|---------------------------------------|
| USM-S67-G20P0 | USM-S67 LoRaWAN & LTE(EU) Gateway 915 |

Packing List

- 2 x Mounting Kits
- 1 x Type -C Cable
- 1 x USB Adapter

Dimensions

Unit: mm

